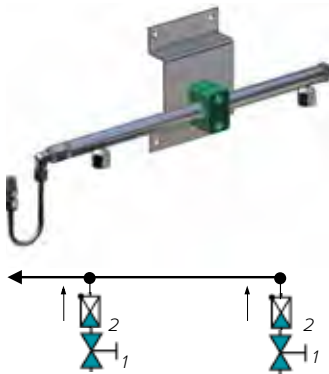


# EXTENSION HEADER KITS MFOLD



Extension header kit, for inert, corrosive, flammable and oxidizing gases and gas mixtures, purity max. 6.0,  
Inlet pressure 300 bar / 4350 psi

### HIGHLIGHTS

- > For 300 bar cylinders
- > Cleaned for O2 service
- > ATEX compliant
- > Suitable for ECD service
- > Modular concept

### DESCRIPTION

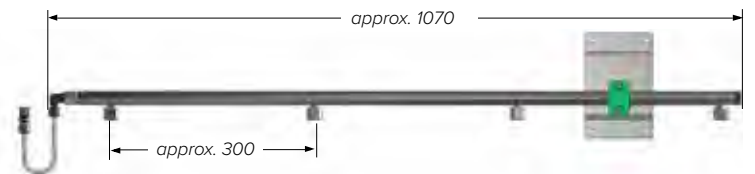
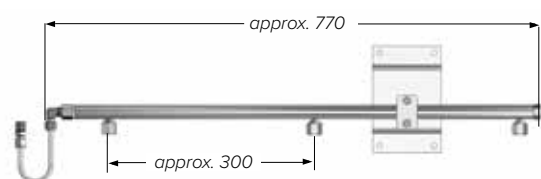
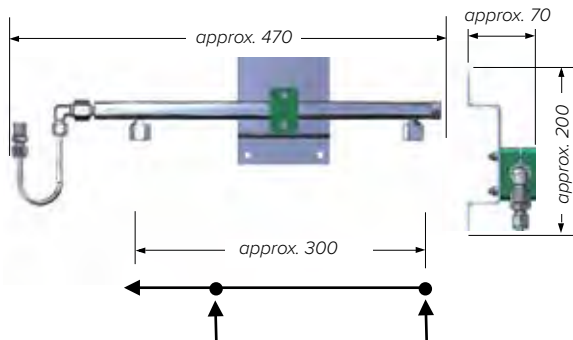
Extension header kits consist of a NPT inlets, a SS tube and a NPT outlet to the manifold. Upon request it can be equipped with non return valves and/or shut off valves on inlet. The extension kit is designed for safe handling of high purity gases.

### FLOW CHAT

- 1 Shut off valve
- 2 Non return valve



TECHNICAL DATA	
Body material:	stainless steel 316L (1.4404) specially cleaned and electropolished
Weight:	approx. 1.2kg
Dimensions (w×h×d):	470 (2inlets), 770 (3 inlets), 1070 (4 inlets)×70×200 mm
Inlet:	NPT 1/4"f
Outlet:	NPT 1/4"m



Left extension tube

Installation example

Right extension tube

### ORDER CODE

Type	Material	Inlet Ports	Shut off Valve	Check Valve	Outlet Port	Type of tube	Gas type
MFOLD	SS	2 N14F	MVA	CV	N14M	R	GAS
	SS=stainless steel BC = brass*) ) Shut off valve material	2 N14F =2× NPT 1/4"f 3 N14F =3× NPT 1/4"f 4 N14F =4× NPT 1/4"f	0 = no valve MVA = with valve	0 = no CV CV= CV on each inlet	N14M = NPT 1/4 M	R = right L = left	