

ACCESSORIES

GAS PREHEATER FOR USING IN INDUSTRIAL GAS SUPPLY SYSTEMS

Gas preheater helps to prevent icing of parts of gas supply system by heating during expansion of highly compressed gases.

SPECIAL FEATURES

- > Usable in supply systems for oxidizing, non- corrosive, inert gases.
- > Cleaned for O2 service
- > Safety against Oxygen burnout is ensured as there are no non- metallic materials coming into direct contact with medium.
- > CE- marked according to Directive 2014/35/EU
- > Correspond to requirements of Regulation (EC) No. 1935/2004 and (EC) No. 2023/2006 and fulfill the requirements on good manufacturing practice for materials coming into direct contact with food.



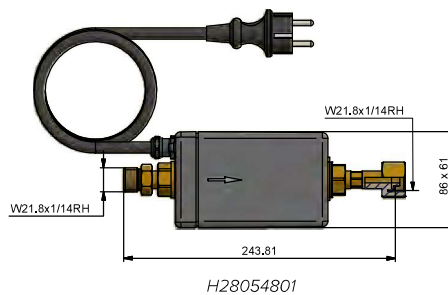
GGP250 B M16X1,5F M16X1,5F TYPE C



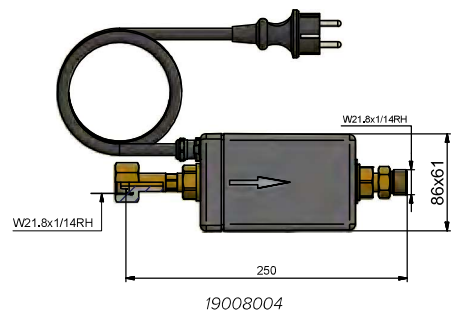
H28746619

Art.-Nr.	Type	Material	Inlet connection	Outlet connection	Type of plug
COM008364	GGP250	B	M16 x 1,5 mm female	M16 x 1,5 mm female	Type C, „CEE 7/16“
19008004	GGP250	B	W21,8x1/14" female	W21,8x1/14" male	Type C, „CEE 7/16“
H28054801	GGP250	B	W21,8x1/14" male	W21,8x1/14" female	Type C, „CEE 7/16“
H28746719	GGP250	B	NPT 1/4" female	NPT 1/4" male	Type C, „CEE 7/16“
30024951	GGP250	B	NPT 1/4" female	NPT 1/4" female	Type C, „CEE 7/16“
H28746619	GGP250	B	G3/8" female	G 3/8" male	Type C, „CEE 7/16“

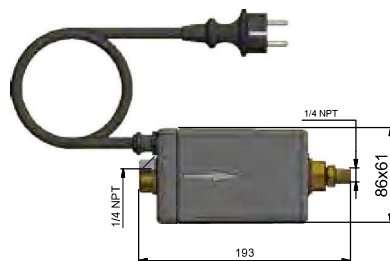
TECHNICAL DATA	
Working temperature (environment)	-30 °C up to + 50 °C
Inlet and outlet port	see order information
Max. working pressure:	300 bar
Gas wetted materials	bronze, copper, brass
Dimensions (width x height)	86 mm x 61 mm
Dimensions (length)	based on version- see following drawing
Weight	app. 2,3 kg
Voltage/Power:	230V/ 50Hz/ 250 W
Electrical connection	plug with 2m connection cable
Protection class plug	IP44
Protection class cage	IP65
Temperature switch	70 +/- 5°C
Temperature limiter with manual reset	
Green LED for signal "Heating system ON"	



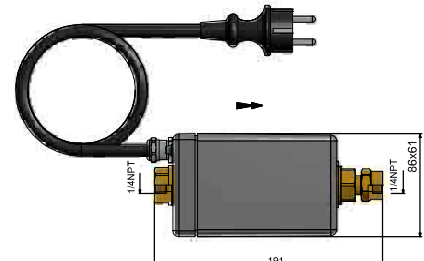
H28054801



19008004



H28746719



30024951