

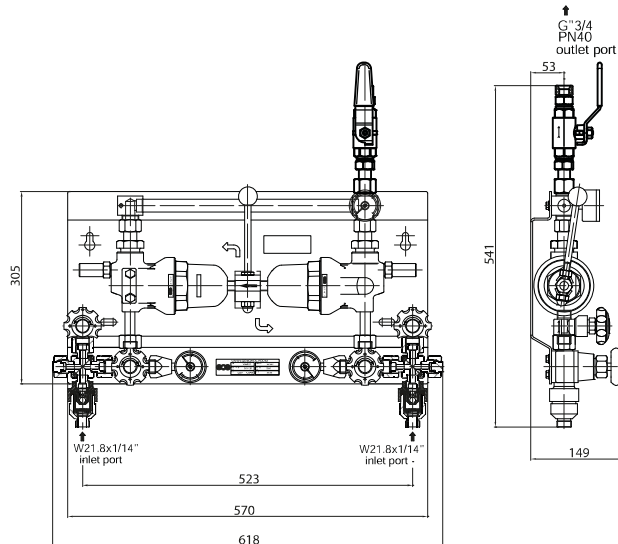
### MS400

The MS400 Semiautomatic manifold reduces compressed gases of max. 300 bar to a continuous gas supply of 17-20 bar or 35-40 bar. It is designed for the use with 2 gas sources (cylinders or cylinder bundles). However, one side at time is the operating one and the other is then the reserve side. The MS400 will ensure continuity of gas flow by automatically changing from a nearly empty side to a full (reserve) side. MS400 is a complete valve unit with high pressure filters, isolating valves, purge valves, regulators, autochange unit and low pressure pipe with line shut-off valve. Components are assembled and mounted at stabile stainless steel plate. Inlet x-block contain free port for extension to more gas sources. MS400 can be used for oxygen and inert gases as nitrogen, argon, CO<sub>2</sub> and their mixtures. The variant for fuel gas can be used for hydrogen, methane and their mixtures. It is optimal solution for continuous gas supply for industrial applications as e.g. welding & cutting, assist gas supply for laser cutting, different inertization and many other applications. There are also variants with contact gauges giving alarm information about switching over to reserve side.



Art.-Nr.	Description	Gas, pressure	Inlet	Outlet
0768114	MS400	O, D, N, CO <sub>2</sub> ; 300 bar/20 bar	W21,8x1/14"	G3/4", DN20
0768164	MS400 CG	O, D, N, CO <sub>2</sub> ; 300 bar/20 bar, with contact gauge	W21,8x1/14"	G3/4", DN20
0768191	MS400 CG	O, D, N, CO <sub>2</sub> ; 300 bar/40 bar, with contact gauge	W21,8x1/14"	G3/4", DN20
0768192	MS400	O, D, N, CO <sub>2</sub> ; 300 bar/40 bar	W21,8x1/14"	G3/4", DN20
0768193	MS400	Hydrogen/methan; 300 bar/20 bar	W21,8x1/14" LH	G3/4", DN20
0768212	MS400 CG	Hydrogen/methan; 300 bar/20 bar,with contact gauge	W21,8x1/14" LH	G3/4", DN20

TECHNICAL DATA	
Regulator type:	MR400/MR60
Body, bonnet material:	Brass
Connectors & fittings material:	Brass, stainless steel
Diaphragm material:	Butyl, NBR
Seat sealing material:	PA, PTFE
Wall bracket:	Stainless steel
Maximal inlet pressure:	300 bar
Maximal flow rate:	400 Nm <sup>3</sup> /h
Nominal flow rate:	250 Nm <sup>3</sup> /h
Temperature range:	From -20 °C to 60 °C



### MS400, SPARE PARTS, REGULATORS

Art.-Nr.	Description	Gas, pressure
0762913	MR60	O, D, N, CO <sub>2</sub> ; 300 bar/40 bar
0762910	MR400	O, D, N, CO <sub>2</sub> ; 300 bar/20 bar

