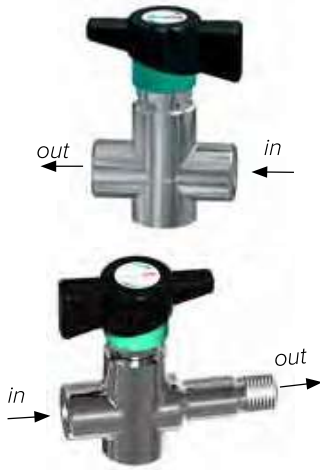


DIAPHRAGM SHUT-OFF VALVES MVA 500/530

For inert, reactive, flammable and oxidizing gases and gas mixtures,

purity max. 6.0, Inlet pressure: MVA 500: 230 bar/ 3300 psi
MVA 530: 300 bar /4350 psi
MVA 530L: 300 bar /4350 psi



SPECIAL FEATURES

- > Quick operation through 90° shut-off function
- > Clearly visible open/closed position
- > Increased lifespan through the fine adjustment of the closing pressure

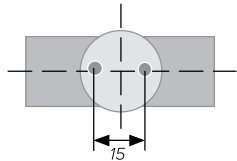
DESCRIPTION

The diaphragm valve MVA 500 is characterized through its outstanding functional safety and high leak-tightness. The open/closed position on the valve is achieved through a 90°-turn of the handle (with a click into the end position).

APPLICATION

As a line shut-off in a centralized high purity gas supply. As a system component in high and low pressure areas.

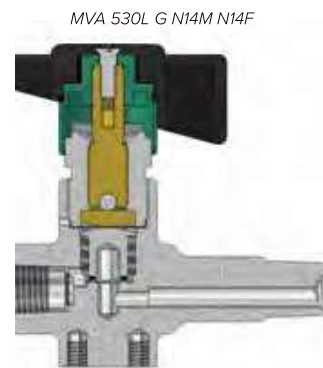
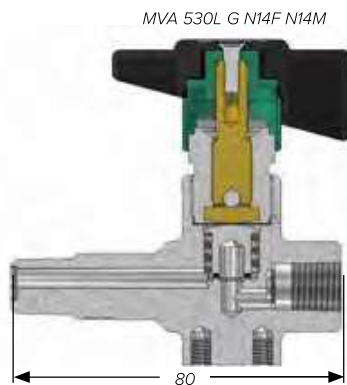
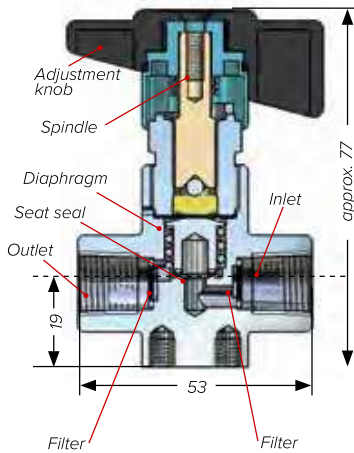
MOUNTING



The MVA 500 has 2 bore holes M6 on the bottom.

TECHNICAL DATA	
Body:	Stainless steel 1.4404 specially cleaned and electro-polished or brass CW614 (CuZn39Pb3) specially cleaned, nickel-plated and chrome-plated
Diaphragm:	Elgiloy
Body seals:	PCTFE
Leakage rate:	< 1×10 ⁻⁶ mbar l/s Helium (seats), < 1×10 ⁻⁹ mbar l/s Helium (outboard)
Dimensions (w×h×d):	approx. 53×77×40 mm, MVA530L - 80×77×40
Nominal width:	DN 5
Working temperature:	-25° to 70°C / -13 °F to 158 °F
Kv-value:	0.25
Inlet/outlet filter:	100 µm mesh SS
Vacuum capable:	yes
Weight:	approx. 280 g

CROSS SECTION



ORDER CODE

Type	Material	Pressure	Inlet*	Outlet*	Gas type
MVA 500G	BC	300	CL6 BC	CL6 BC	GAS
200 bar Versions: MVA 500G MVA 500GL	BC = brass chrome-plated SS = stainless steel	200 = 200 bar (3300 psi) 300 = 300 bar (4350 psi)	N14F = 1/4" NPT f N14M = 1/4" NPT m CL6, CL8, CL10, CL12	N14F = 1/4" NPT f N14M = 1/4" NPT m CL6, CL8, CL10, CL12	Please specify
300 bar Versions: MVA 530G MVA 530GL			BC = brass chrome-plated SS = stainless steel	BC = brass chrome-plated SS = stainless steel	

*Outlet: CL... = compressed fitting for ... mm outside diameter, NO... = hose connector for ... mm hose inside diameter.