

## Point-of-use regulator Lab 400



EMD 400-01



MVA 400 W



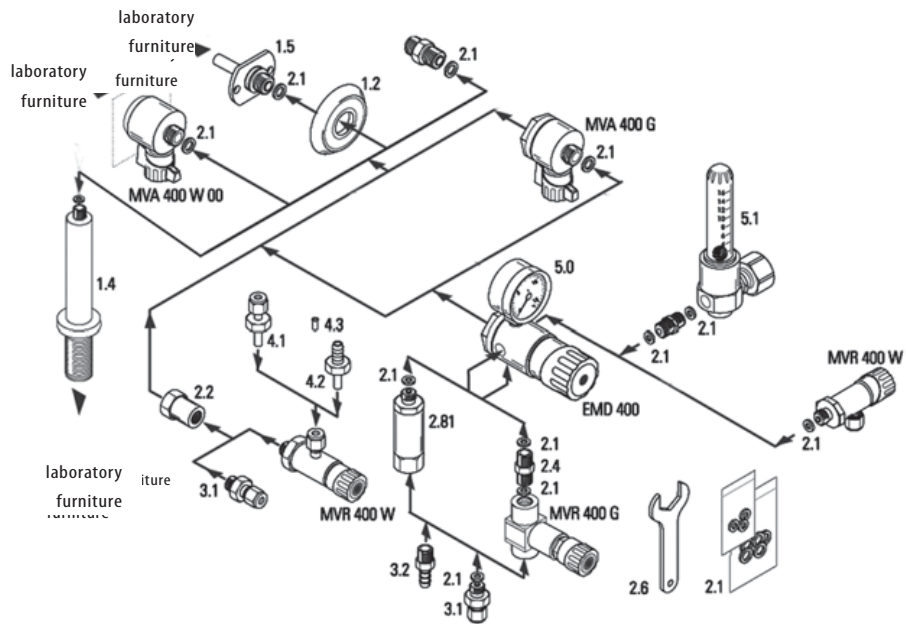
MVA 400 G



MVR 400 W



MVR 400 G



No.	Type	Function	Material	Art.-No.
1.2	Closing cap	Cap to cover the wall connector (1.5).		H19006625
1.3	Adapter fitting G 3/8" m > G 3/8"m	Threaded adapter fitting to connect shut-off valve resp. pressure regulator and other female threaded outlets G 3/8"	stainless steel	H23303701
1.4	Upright pipe conn. G 1/4" f > G 1/4"m	Connector for table mounting		H28590603
1.5	Wall connector 8 mm > G 3/8"m	Mounting LabSystem components at laboratory furniture walls	brass	H23303403
1.51	Wall connector NPT1/4" f > G 3/8"m	Mounting LabSystem components to laboratory furniture walls	brass stainless steel	H23303203 H23303201
2.1	Sealing 14,0 × 9,0 × 2,0 mm (G 3/8") 11,2 × 5,5 × 1,5 mm (G 1/4")  14,0 × 9,0 × 2,0 mm (G 3/8") 11,2 × 5,5 × 1,2 mm (G 1/4") 11,2 × 5,5 × 1,5 mm (G 1/4") 11,2 × 5,5 × 2,1 mm (G 1/4")	for brass version  for stainless steel version	PVDF PVDF  PCTFE PCTFE PCTFE PCTFE	H09010316 H09008919  H09010309 H09011809 H09008909 H09009009
2.2	Adapter fitting G 3/8" f > G 1/4" f	Reducing adapter to connect the control valve with the wall connector (1.1)	brass	H23302253

No.	Type	Function	Material	Art.-No.
2.4	Male connector G 1/4"m > G 1/4"m	To connect the control valve MVR 400 G or the flow meter SVM 400 with the pressure regulator EMD 400	brass stainless steel	A000105 A000104
2.6	Spanner, wrench size 36	Special LabSystem Spanner for EMD 400, ZB 400, MVE 400E and MVE 400G.	steel plated	H11006405
2.81	Flame arrestor FS 400 G 1/4"m > G 1/4" f	For the use of acetylene	stainless steel	L000110
3.1	Tube fitting for EMD 400 G 1/4" > tube	Outlet screwed connection for EMD 400.	brass 1/8" brass 6 mm brass 10 mm stainless steel 1/8" stainless steel 6 mm stainless steel 10 mm	A000121 A000123 A000125 A000120 A000122 A000124
3.2	Hose nozzle fitting for EMD 400 G 1/4" > hose nozzle	Outlet screwed connection for EMD 400, outer diameters of hose nozzles = inner diameters of hose.	brass 4 mm brass 6 mm brass 8 mm	H03825573 H03825673 H03825773
4.2	Hose nozzle fitting for SVR 400 W G 1/4" > hose nozzle	Outer diameters of hose nozzles = inner diameters of hose.	brass 4 mm brass 6 mm brass 8 mm stainless steel 4 mm stainless steel 6 mm	H03825203 H03825303 H03825403 H03825201 H03825301
4.3	Supporting tube 6 x 4 mm	Enables the use of PE- resp. PTFE-hoses in tube fittings	stainless steel	H03804401
5.0	Pressure gauge RM 50 inlet: G 1/4"m	Spring-tube gauge, rating diameter 50 mm, metallic housing, precision class 2.5.	stainless steel brass	see accessory
5.1	Flow meter SVM 400, without adapter G 1/4" f > G 1/4" f	Flow indication with fine adjustment valve 0 - 60 l/h air 0 - 120 l/h air 0 - 960 l/h air 0 - 1500 l/h air		on demand

**Legend:**

**f** = female thread, **m** = male thread

G 1/4" f > G 1/4" m means: **inlet** G 1/4" female thread and **outlet** G 1/4" male thread.

**Available accessory**

Large range of mounting and assembling accessory (see Accessory), especially tube fittings and hose adaptors.

## Point-of-use regulators EMD 400/404



EMD 400-01



EMD 400-06  
wall mounted,  
inlet from top



EMD 400-42  
plate assembly,  
inlet from rear



EMD 400-41  
Bench version

**Single-stage,  
for inert, reactive, flammable and oxidizing gases and gas mixtures,  
purity max. 6.0,  
inlet pressure 40 bar / 600 psi,  
outlet pressure range 0,1 - 10,5 bar / 1 - 150 psi**

### Highlights

- ECD-suitable
- Great variety of assembly possibilities in laboratory furniture due to the modular design of the LabSystem
- Gas type specific colour indication labels according to DIN 13792
- Analysis version available

### Features

Standard version regulator with gauge, inlet at rear, outlet downwards. May be combined with inlet shut-off valve MVA 400, wall connector, metering valve MVR 400G and MVR 400W, different gauges and diverse accessory (see previous pages).

### Application

For wall, plate, suspended and bench mounting, with great variety of combinations, covering any laboratory gas supply demand.

### Technical data

Body material:	stainless steel 316L (1.4404) specially cleaned and electro polished or brass CW614 (CuZn39Pb3) specially cleaned, chrome-plated
Performance:	see chapter 5
Pressure gauge range:	0 - 2,5/6/16 bar ( 0 - 35/85/ 235 psi ) type 404: 0 - 3 / 6 bar (0 - 45/85 psi)
Weight:	0,8 kg
Inlet - outlet:	G 3/8" f - G 1/4" f

### Order code

Type	Variation	Material	Outlet pressure	Outlet conn.	Gas type
<b>EMD 400</b>	<b>-01</b>	<b>BC</b>	<b>1</b>	<b>CL6 BC</b>	<b>Gas</b>
EMD 400 = standard	-01 = standard	BC = brass	EMD 400:	0 = without	please
EMD 404 = analysis version	-06 = plate mounted	chrome-plated	1 = 0,1 to 1 bar / 1 - 15 psi	CL4, CL6, CL8	specify
	-41 = bench version	SS = stainless steel	4 = 0,2 to 4 bar / 3 - 60 psi	CL 1/4, CL 1/8"	
	-42 = wall assembly		10 = 0,5 to 10,5 bar / 7 - 150 psi	NO 1/4"	
			EMD 404:	NO 1/8"	
			2,2 = 0,1 - 2,2 bar / 1,5 - 32 psi	BC = brass	
			4 = 0,5 - 4 bar / 7 - 60 psi	SS = stainless steel	
				steel	

Outlet expl.: CL6 = tube fitting 6 mm, others on demand