



Security in action



INDUSTRIAL MANIFOLD REGULATOR **MR400**

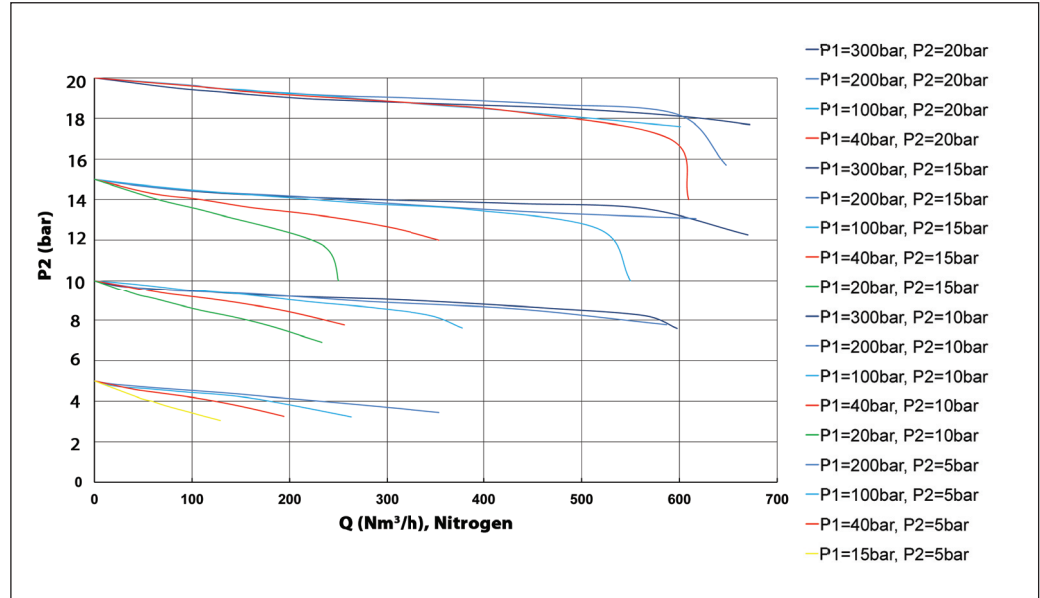
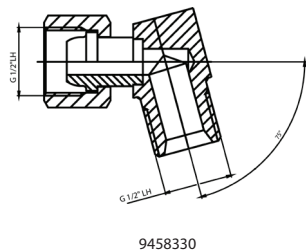
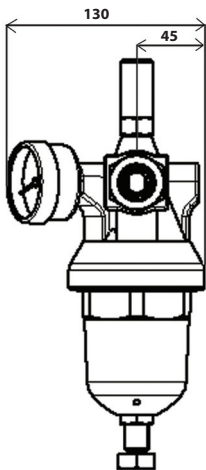
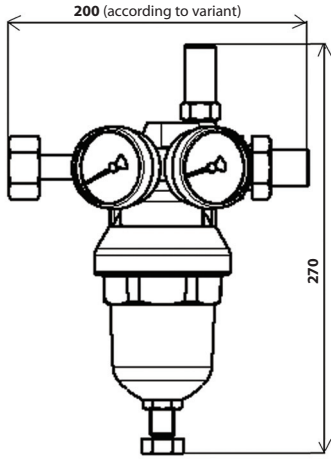


EDITION 1/2012

- MR400 is high pressure high flow regulator for industrial applications.
- Conforming to ISO 7291.
- High compressed gas service (O, D, N, CO₂, M, H) up to 600Nm³/h and up to 300 bar inlet pressure.
- 180°connectors for direct in-line mounting as manifold regulator.
- Integrated inlet filter ensures reliable function of the regulator even with old or dirty upstream pipeworks.
- Contains integrated pressure relief valve
- It can be used in many applications where is requested high-flow outlet with constant delivery pressure.
- Typical examples: Oxy-fuel cutting and other various oxy-fuel processes, laser process gas service, arc welding shielding gas pressure stabilizing, inertisation, etc.



FLOW CHARACTERISTICS



Art. Nr.	Gas	Inlet pressure	Inlet connection	Outlet pressure	Outlet conn. EN560
0762915	Oxygen	200 bar	DIN 477-1 Nr.9; G3/4"	20 bar	G1/2" male
0762929	Nitrogen	200 bar	DIN 477-1 Nr.10; W24,32x1/14"	20 bar	G1/2" male
0762931	Argon, Ar/CO ₂	200 bar	DIN 477-1 Nr.6; W21,8x1/14"	20 bar	G1/2" male
0762932	Hydrogen, Methane	200 bar	DIN 477-1 Nr.1; W21,8x1/14"LH	20 bar	G1/2"LH male
0762933	Oxygen	300 bar	DIN 477-5 Nr.59; W30x2; 18,7/17,3	20 bar	G1/2" male
0762934	Nitrogen	300 bar	DIN 477-5 Nr.54; W30x2; 20,1/15,9	20 bar	G1/2" male
0762936	Argon, Ar/CO ₂	300 bar	DIN 477-5 Nr.55; W30x2; 20,8/15,2	20 bar	G1/2" male

ACCESSORIES

Art. Nr.	Description	Gas	Max. pressure	Inlet conn. EN560	Outlet conn. EN560
9456380	Outlet conn. 75°bent, EN 560	Oxygen/Inert	PN64	G1/2" female	G1/2" male
9458330	Outlet conn. 75°bent, EN 560	Fuel gas	PN64	G1/2"LH female	G1/2"LH male

TECHNICAL DATA

Bodies and bonnet material	Brass
Diaphragm material	Butyl, NBR
Seat sealing	PA
Inlet filter	Bronze
Connectors & fittings	Brass, Stainless steel
Inlet connection	DIN477, other variants on request
Outlet connection	G1/2"
Maximal inlet pressure for oxygen	300bar
Outlet pressure range	0-20bar
Temperature range	from -20°C to 60°C
Maximal flow rate	612Nm ³ /h, Nitrogen
Nominal flow rate	400Nm ³ /h, Nitrogen
Coefficient „i“	0,026
Coefficient „R“	0,159
Weight	5,1 kg



Gas Control Equipment

GCE world-wide: <http://www.gcegroup.com>